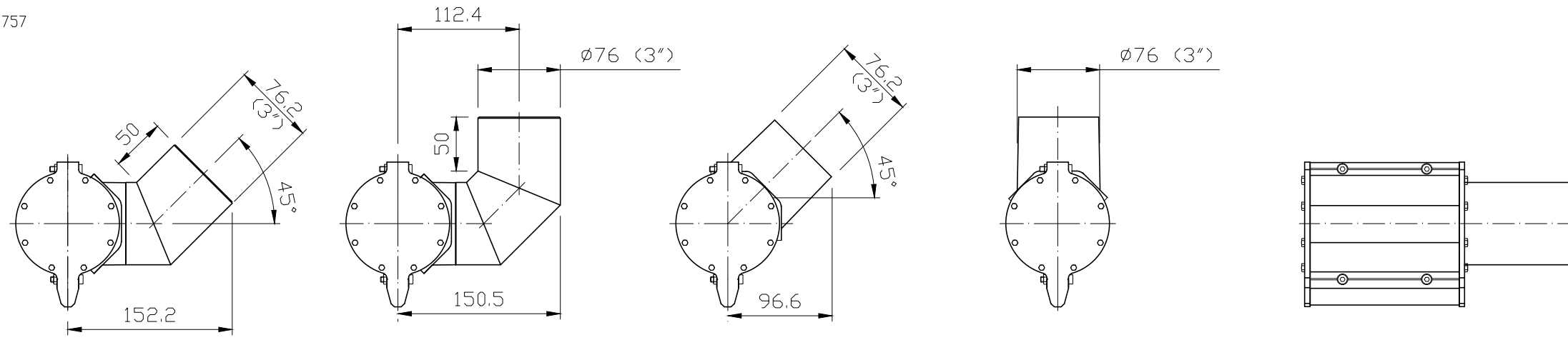


SK99-757

DIMENSIONS ARE IN MM UNLESS OTHERWISE STATED



INLET TYPE B

INLET TYPE C

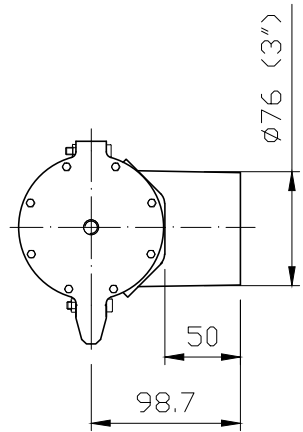
INLET TYPE D

INLET TYPE E

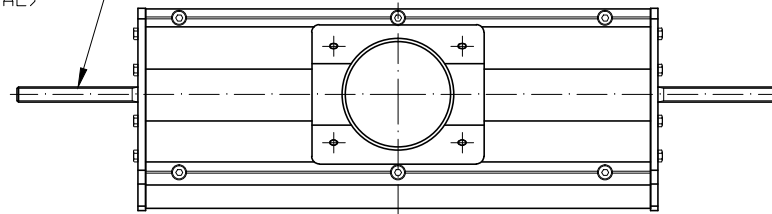
INLET TYPE F

STUDS	LENGTH A
M6 X 40	
M6 X 100	
M8 X 40	50
M8 X 50	100
M10 X 50	150
M10 X 100	200
M12 X 65	250
M12 X 135	300

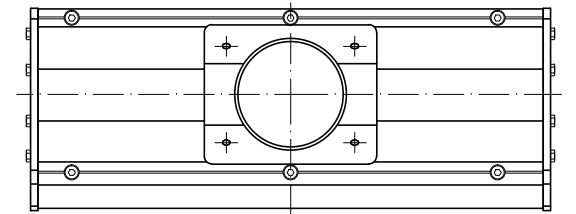
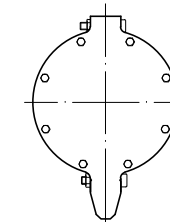
CENTRE INLET + MOUNTING STUDS



MOUNTING STUD (OPTIONAL)

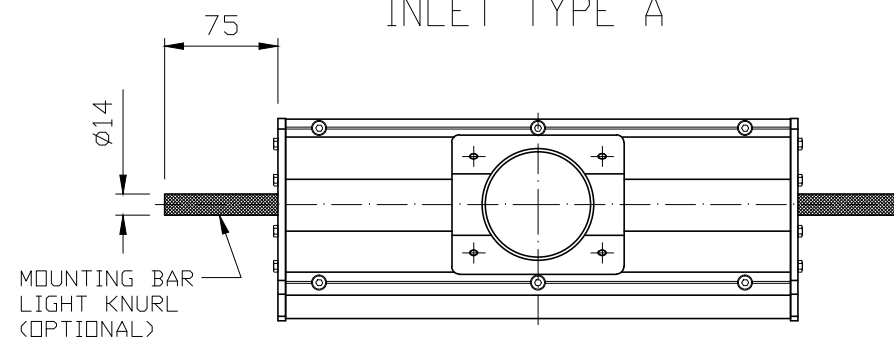
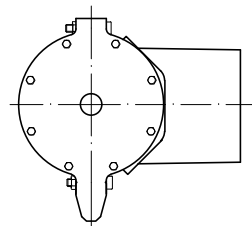


CENTRE INLET + BLANK ENDS

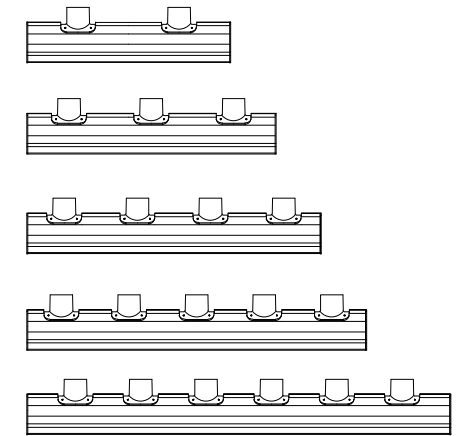
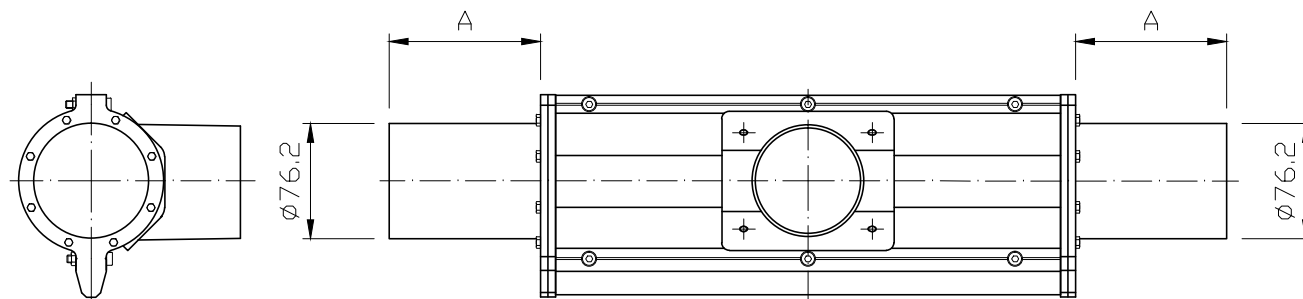


INLET TYPE A

CENTRE INLET + MOUNTING BARS



CENTRE INLET + MOUNTING SPIGOTS



EXAMPLES OF MULTIPLE CENTRE INLETS

NOTES:
FOR ALL OTHER AIRKNIFE DIMENSIONS
SEE OUTLINE DRAWING NO. SK92/297

11916	10788.	3094.	1815	DRG.ISSUE
5.	4.	3.	2.	1.
01/08/12	28/10/09	05/10/06	16/04/02	27/4/99

A3	THIS DRAWING MUST NOT BE LOANED OR COPIED WITHOUT PERMISSION OF				
	AIR CONTROL INDUSTRIES LIMITED				
APPROVED	SCALE 1:5	DRAWN BY. CE	DATE 27/4/99	3rd ANGLE PROJECTION	CONFORMS TO BS308
CHANGE No	TITLE			DRG No.	SHEET
ISSUE	OUTLINE AK08			SK99/757	1 OF 2
DATE	INLET/MOUNTING OPTIONS				