

EP10A Compact Blower

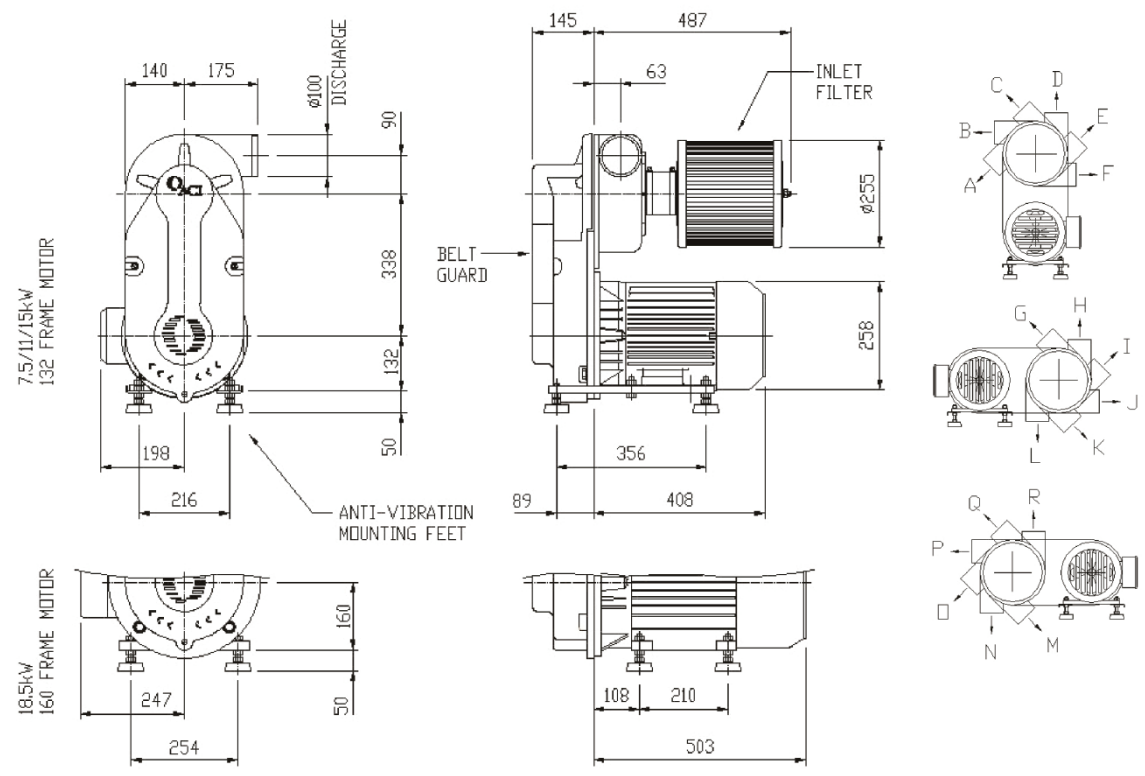
BELT DRIVEN CENTRIFUGAL BLOWER

GENERAL CHARACTERISTICS:



MOTOR TYPE:	Induction type / TEFC / IP55
NOMINAL SUPPLY:	380-420Y / 660-690Y 3Ph 50Hz 440-480D 3Ph 60Hz
MATERIALS:	Main housing assembly: Aluminium Impeller: Aluminium Shaft Assembly: Hardened tool Steel Drive Pulley: Steel Motor Pulley: Aluminium
MOUNTING OPTIONS:	Anti-vibration feet
NOISE LEVELS:	82-91 dB(A) Free Air, 1M (dependant on blower speed)
WEIGHT:	70.0 Kg / 154Lbs (7.5 kW motor plus fan)
VARIATIONS:	Hot-air version / Available in Metric or NEMA frames

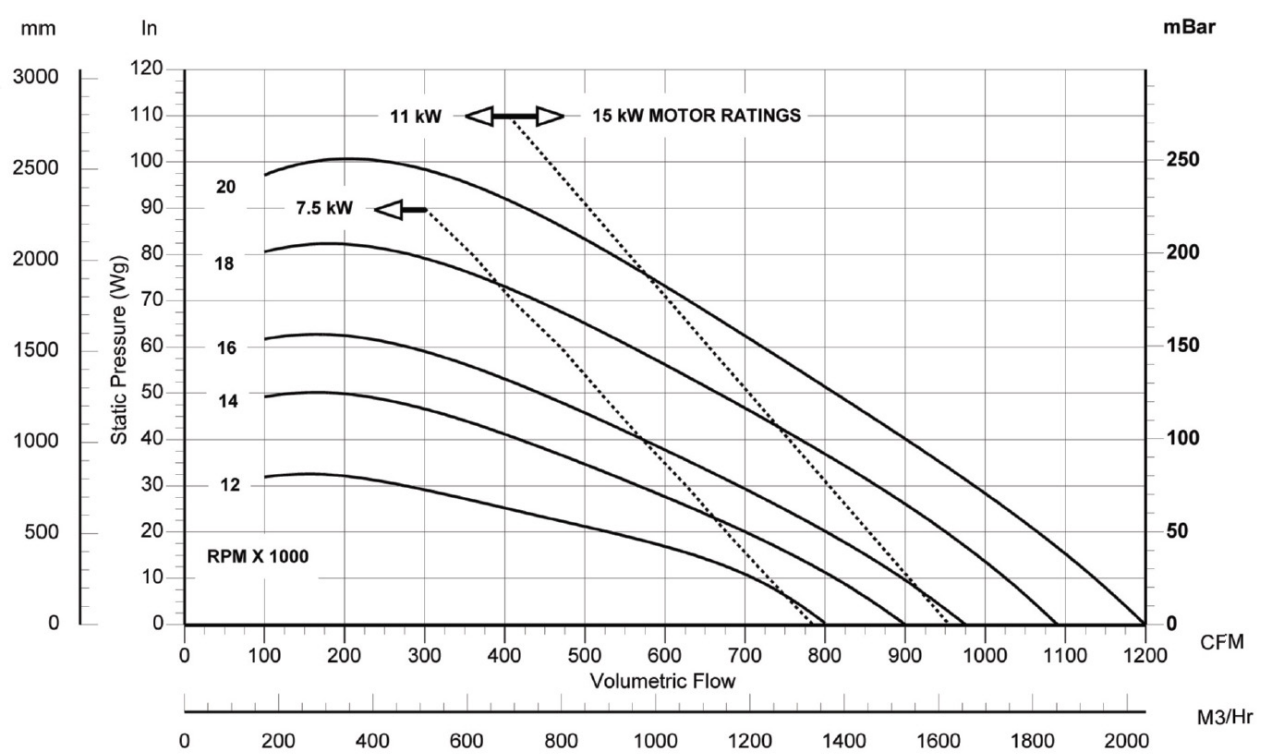
OUTLINE DIMENSIONS:



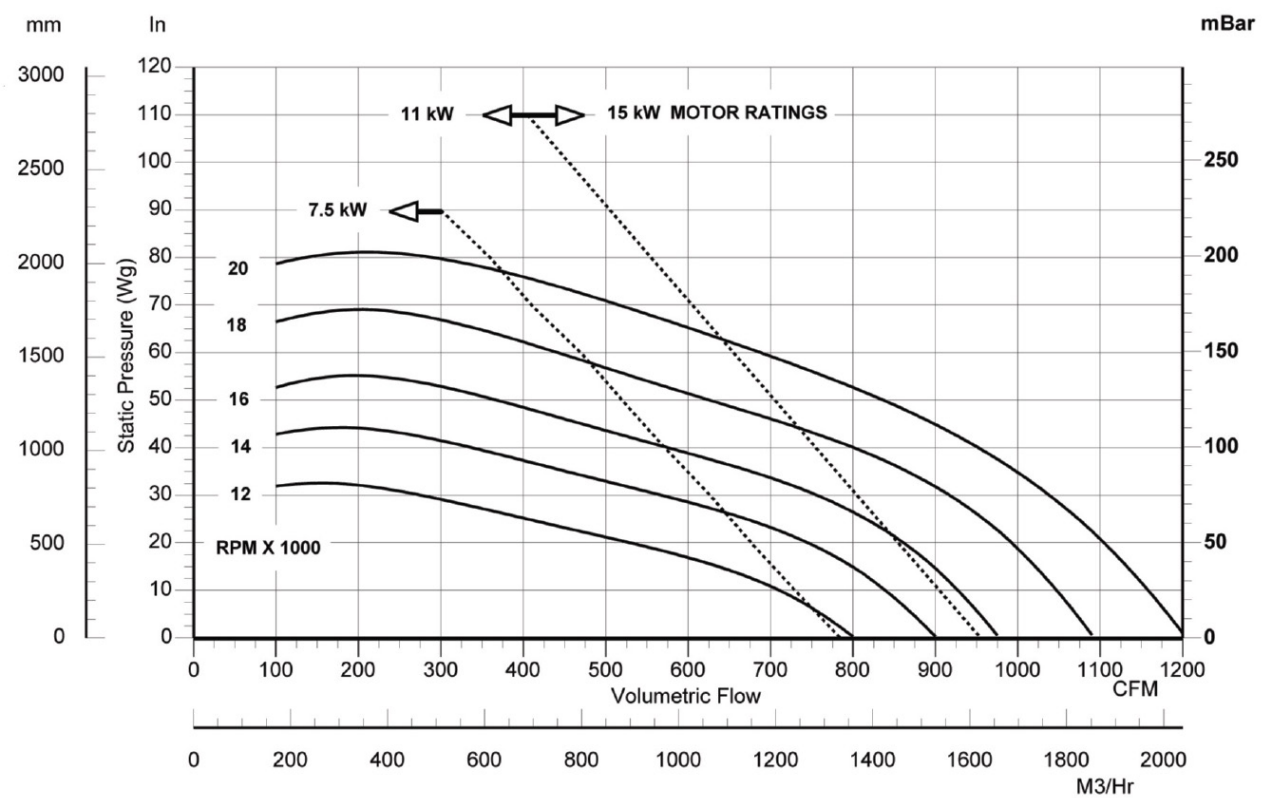
EP10A Compact Blower

BELT DRIVEN CENTRIFUGAL BLOWER

PRESSURE PERFORMANCE CURVES:



VACUUM PERFORMANCE CURVES:



Please note – all drawings measurements are in millimetre (mm)
Please note – above technical specifications are subject to change