

ACI/EV INDUSTRIAL FANS

Intended for clean air, dust-laden air, pneumatic conveying and many other industrial applications, ACI's EV range is readily available in a choice of finishes and standards, including painted mild steel, ATEX and Stainless Steel versions.

The EV range can be either fitted with directly coupled AC motors (2, 4 or 6 pole according to duty) or supplied with extended shafts for belt driven applications. In addition ACI can also offer a wide range of options and accessories for this range, including flow control valves, flexible connectors, inlet guards and acoustic enclosures.

1. AP SERIES

Medium to high pressure centrifugal fans with direct or belt driven options.

APE 2 POLE:

- Flow rates up to 2,000M³/Hr (1,177cfm). Static Pressures up to 57"WG / 1450mm

APF 2 POLE:

- Flow rates up to 8,100M³/Hr (4,767cfm). Static Pressures up to 68"WG / 1730mm

APG 2 POLE:

- Flow rates up to 18,000M³/Hr (10,594cfm). Static Pressures up to 74"WG / 1880mm

APR (F-L)

- Flow rates up to 50,000M³/Hr (29,428cfm). Static Pressures up to 86"WG / 2200mmWG

TYPICAL APPLICATIONS:

Aeration, Agriculture, Heat Treatment, Ovens & Burners, Boilers, Chemical Processing, Composting, Cremators, Film Blowing, Fired Heaters, Fish Farms, Flotation Beds, Fluid Beds, Forge Blowers, Gas Boosting, Glass Blowing, Incinerators, Kilns, Powder Handling, Lamp Cooling, Land Fill, Printing, Shot-blasting, Airknives, UV Lamp Cooling, Washing Machines, Waste Separation/Density Separators, Food Processing and Test Chambers.

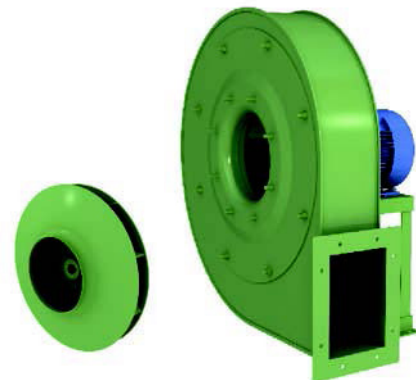
2. MPR SERIES

Low to medium pressure blower, low noise, reverse blade impeller with direct drive.

- Flow rates up to 5,500M³/Hr (3,237cfm)
- Static Pressures up to 18"WG / 450mmWG

TYPICAL APPLICATIONS:

Burners, Boilers, Chemical Processing, Composting, Cremators, Film Blowing, Fired Heaters, Fish Farms, Flotation Beds, Fluid Beds, Forge Blowers, Gas Boosting, Glass Blowing, Incinerators, Kilns, Powder Handling, Lamp Cooling, Land Fill, Printing, Shot-blasting, Airknives, UV Lamp Cooling, Washing Machines, Welding Fume Extraction.



ACI/EV INDUSTRIAL FANS

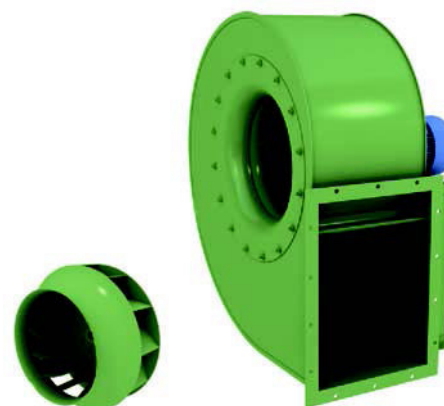
3. BPR SERIES

Low pressure, high volume backward curved centrifugal fans. 2, 4 and 6 pole direct drive options are available with further belt driven alternatives.

- Flow rates up to 90,000M³/Hr (52,972cfm)
- Static Pressures up to 12"WG / 300mmWG

TYPICAL APPLICATIONS:

Cooling, Cremators, Dust Extraction, Exhausting, Filters, Fired Heaters, Fume Extraction, Air Handling, Test Chambers, Spray booths, HVAC.



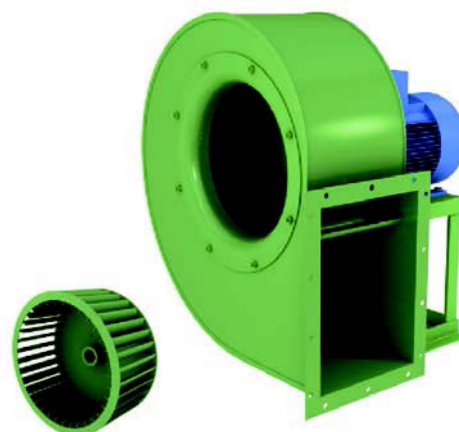
4. BP SERIES

Low pressure, high volume forward curved centrifugal blower. 2, 4 and 6 pole direct drive options are available with further belt driven alternatives.

- Flow rates up to 18,000M³/Hr (10,594cfm)
- Static Pressures up to 8"WG / 200mmWG

TYPICAL APPLICATIONS:

Cooling, Cremators, Exhausting, Filters, Fired Heaters, Fume Extraction, Furnaces, Air Handling, Test Chambers, Spray booths, HVAC.



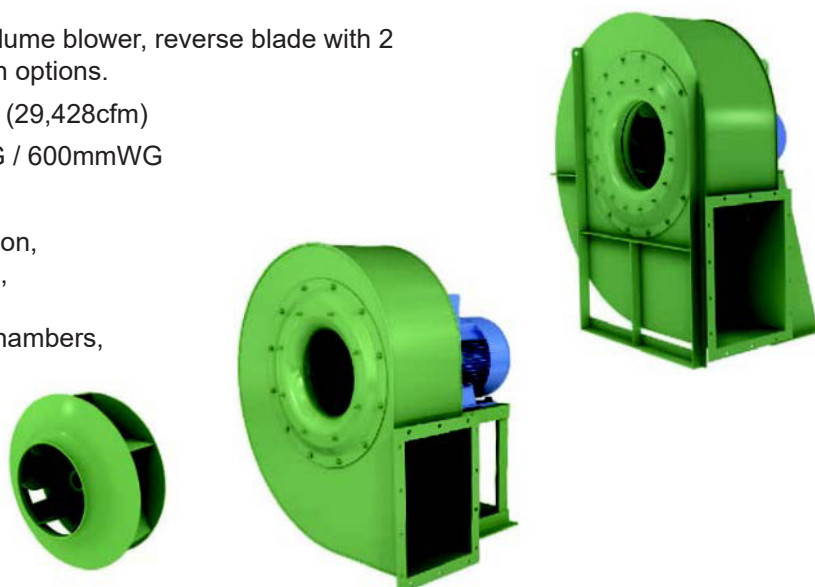
5. EU/EUM SERIES

Low to medium pressure, high volume blower, reverse blade with 2 or 4 pole direct drive or belt driven options.

- Flow rates up to 50,000M³/Hr (29,428cfm)
- Static Pressures up to 23"WG / 600mmWG

TYPICAL APPLICATIONS:

Cooling, Cremators, Dust Extraction, Exhausting, Filters, Fired Heaters, Flotation Beds, Fume Extraction, Incinerators, Air Handling, Test Chambers, Spray booths, HVAC.



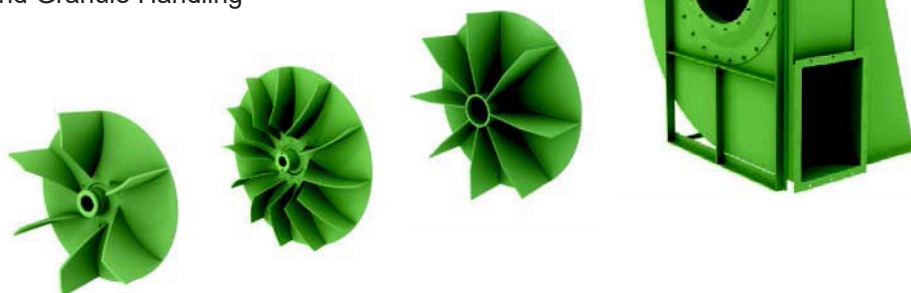
ACI/EV INDUSTRIAL FANS

6. TQ/TPA/TF/TG/TH Series

Product conveying series – direct drive and belt driven options.
Impeller designs for medium and high pressure.

TYPICAL APPLICATIONS:

Materials Handling, Power and Granule Handling



7. EVC SERIES

Axial-flow fan with light alloy die cast impeller with wing-profile blades. Single flange ducting drum, belt driven.

- Flow rates up to 65,000M³/Hr (38,257cfm)
- Static Pressures up to 2.75"WG / 70mmWG

TYPICAL APPLICATIONS:

Cooling, Fume Extraction, HVAC Ventilation, Spray booths,
Cooling Coils.



8. EVP SERIES

Axial-flow fan with light alloy die cast impeller with wing-profile blades. Single flange ducting drum, directly coupled motor.

- Flow rates up to 6,000M³/Hr (3,531cfm)
- Static Pressures up to 0.756"WG / 20mmWG



ACI/EV INDUSTRIAL FANS

9. EVF/EVL SERIES

Axial-flow fan with light alloy die-cast impeller with wing-profile blades. Double flange ducting drum, directly coupled motor.

- Flow rates up to 75,000M³/Hr (44,143cfm)
- Static Pressures up to 3"WG / 75mmWG



10. EVT Series

Axial-flow fan with light alloy die-cast impeller with wing profile blades. Fibreglass roof, fitted with base for mounting.

- Flow rates up to 18,000M³/Hr (10,594cfm)
- Static Pressures up to 1.5"WG / 38mmWG



11. BT SERIES

A high-capacity centrifugal fan with wing-profile blades. Fibreglass roof, fitted with base for mounting.

- Flow rates up to 15,000M³/Hr (8,828cfm)
- Static Pressures up to 2"WG / 50mmWG

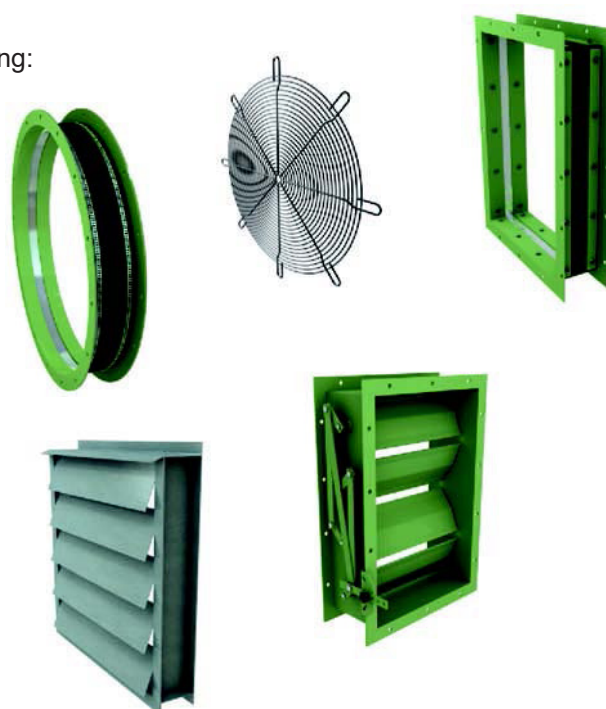


ACI/EV INDUSTRIAL FANS

12. EV RANGE ACCESSORIES

A complete range of accessories are available, including:

- Acoustic Enclosures
- Inlet Discharge Regulators
- Air Reducing Flaps
- Gravity Shutters
- Fan Guards
- Inlet & Discharge Flexible Couplings
- Inlet Filters
- Anti-Vibration Mountings
- Inlet and Discharge Circular Spigot Connections



13. OTHER TYPES

Whatever your airflow requirements, big or small, we have a solution.

