

# SLIMLINE FAN VBL4/3

## SINGLE INLET CENTRIFUGAL FAN

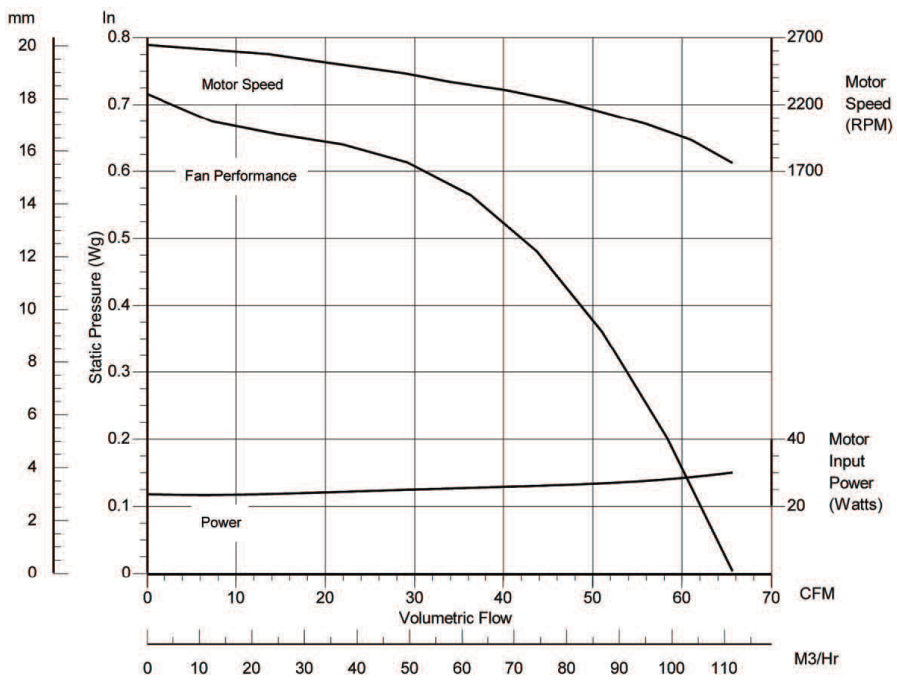
### General Characteristics:



<b>Motor type:</b>	External rotor motor / shaded pole induction IP44
<b>Nominal supply:</b>	230V 1Ph 50/60Hz 115V 1Ph 50/60Hz
<b>Options:</b>	Inlet & discharge guards, inlet filters
<b>Materials:</b>	Fancase - cast aluminium LM6 Impeller - galvanised sheet steel
<b>Finishes:</b>	Unpainted or stove enamel as std (black)
<b>Mounting options:</b>	Inlet & discharge drillings
<b>Noise levels:</b>	56.2dB(A) Free Air, 1 metre
<b>Weights:</b>	1.6Kg / 3.52Lbs

[Please note - image above may not be representative of the unit supplied]

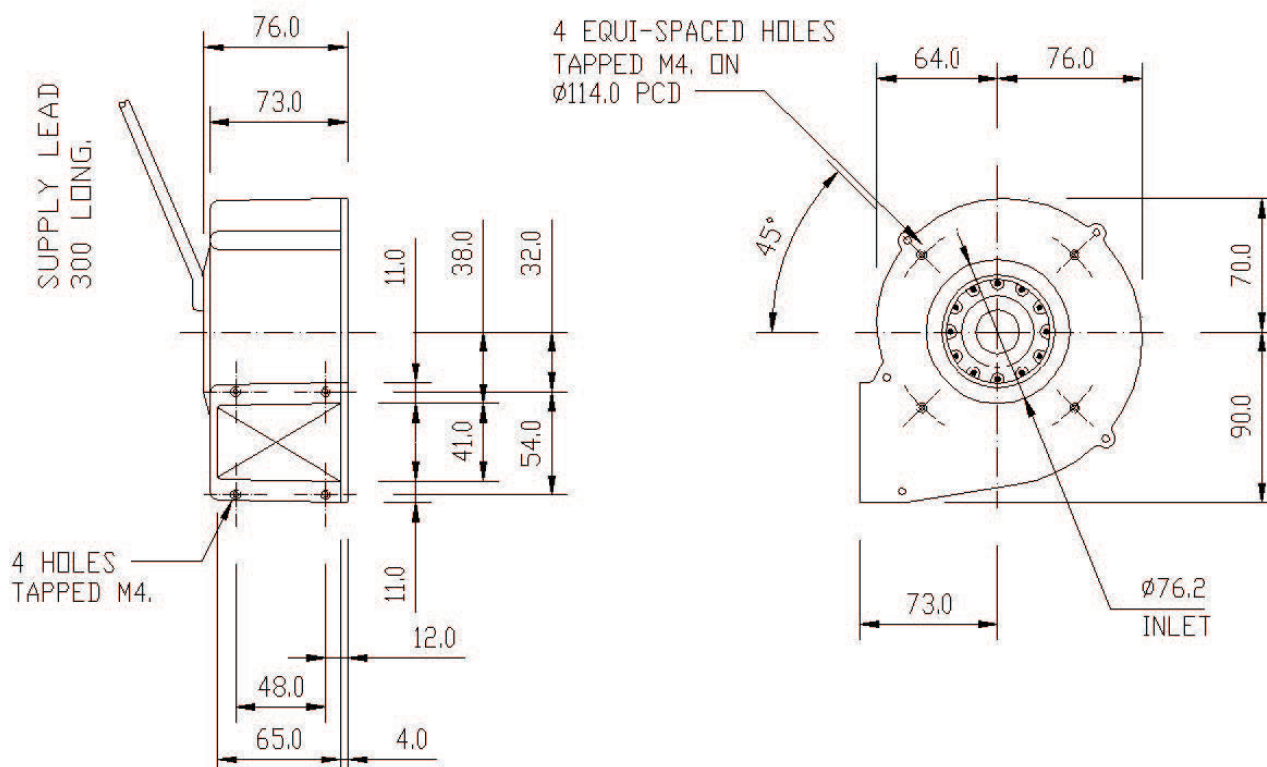
### Performance curves:



# SLIMLINE FAN VBL4/3

## SINGLE INLET CENTRIFUGAL FAN

### Outline dimensions:



### Please note:

1. all drawings measurements are in millimeters (mm)
2. above technical specifications are subject to change