

SLIMLINE FAN VBL5/5

SINGLE INLET CENTRIFUGAL FAN

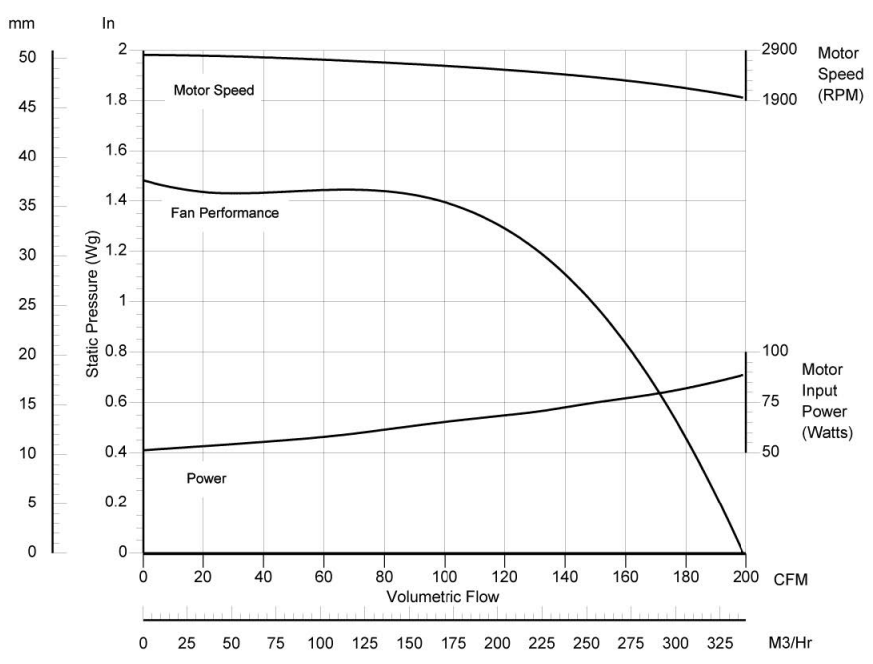
General Characteristics:



| | |
|--------------------------|---|
| Motor type: | External rotor motor / shaded pole induction IP44 |
| Nominal supply: | 115V 1Ph 50/60Hz 230V 1Ph 50/60hz |
| Options: | Inlet & discharge guards |
| Materials: | Fancase - cast aluminium LM6 Impeller - galvanised sheet steel |
| Finishes: | Unpainted or stove enamel as std (black) |
| Mounting options: | Foot, inlet & discharge drillings |
| Noise levels: | 63.5dB(A) Free Air, 1 metre |
| Weights: | 3Kg / 6.6Lbs |

[Please note - image above may not be representative of the unit supplied]

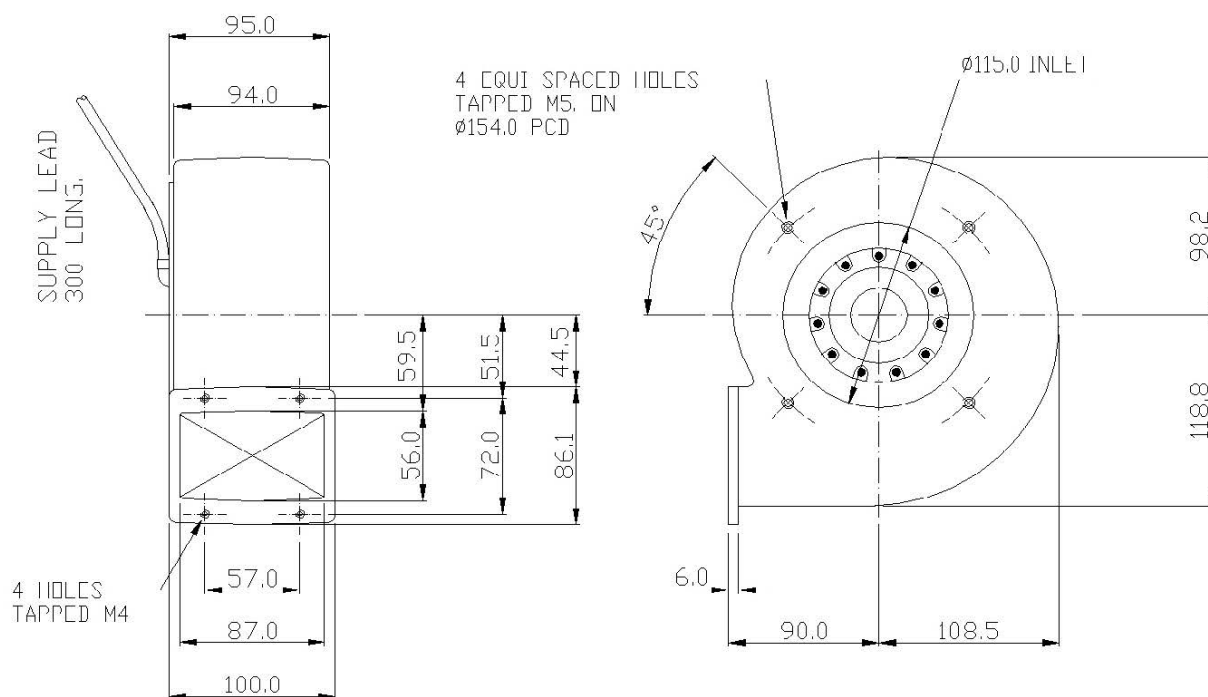
Performance curves:



SLIMLINE FAN VBL5/5

SINGLE INLET CENTRIFUGAL FAN

Outline dimensions:



Please note:

1. all drawings measurements are in millimeters (mm)
2. above technical specifications are subject to change