

SLIMLINE FAN VBL8/3

SINGLE INLET CENTRIFUGAL FAN

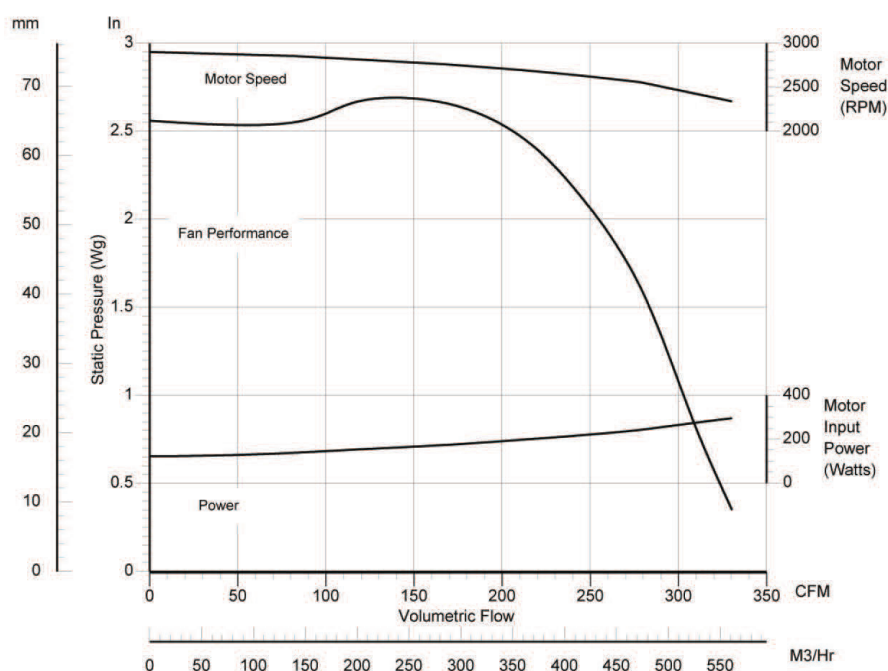
General Characteristics:



Motor type:	External rotor motor / shaded pole induction IP44
Nominal supply:	230V 1Ph 50/60Hz 115V 1Ph 50/60Hz
Options:	Inlet & discharge guards, spigots, inlet filters
Materials:	Fancase - cast aluminium LM6 Impeller - galvanised sheet steel
Finishes:	Unpainted or stove enamel as std (black)
Mounting options:	Foot, inlet & discharge drillings
Noise levels:	75.6dB(A) Free Air, 1 metre
Weights:	4.8Kg / 10.5Lbs

[Please note - image above may not be representative of the unit supplied]

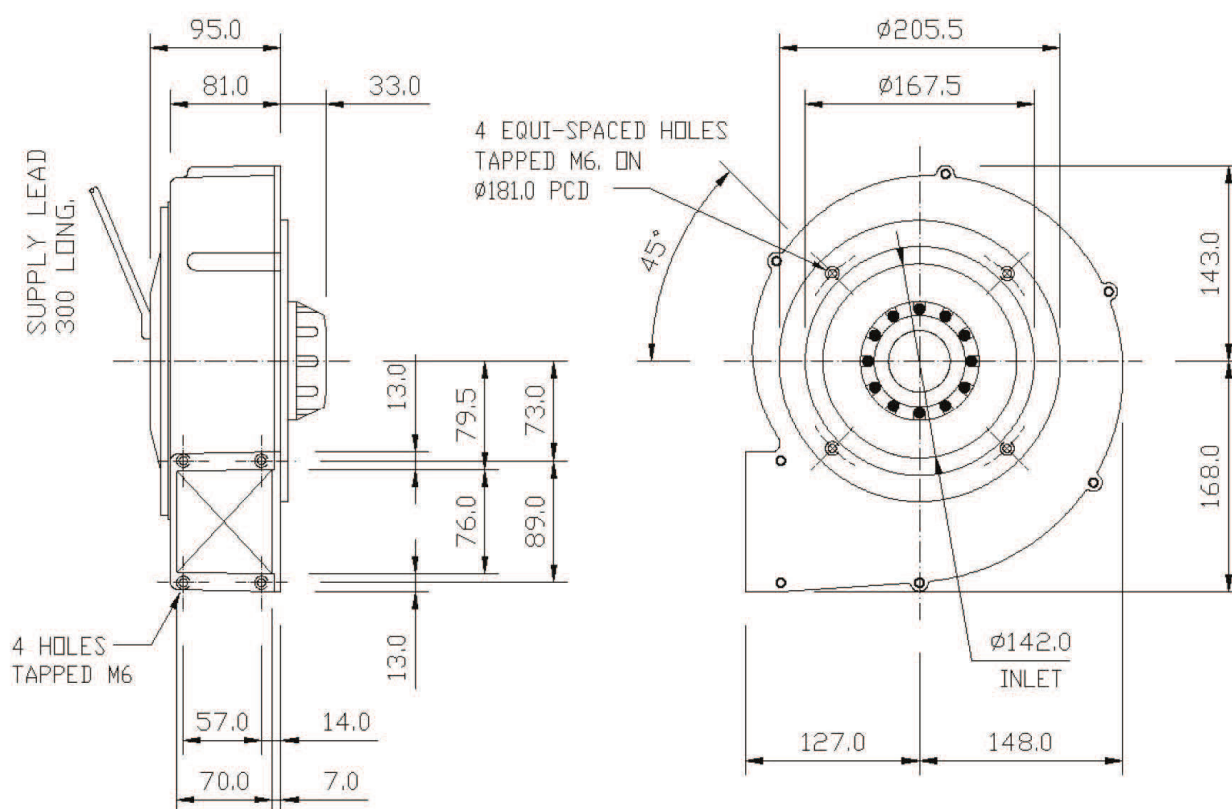
Performance curves:



SLIMLINE FAN VBL8/3

SINGLE INLET CENTRIFUGAL FAN

Outline dimensions:



Please note:

1. all drawings measurements are in millimeters (mm)
2. above technical specifications are subject to change