

# CENTRIFUGAL FAN VBM5

## SINGLE INLET CENTRIFUGAL FAN

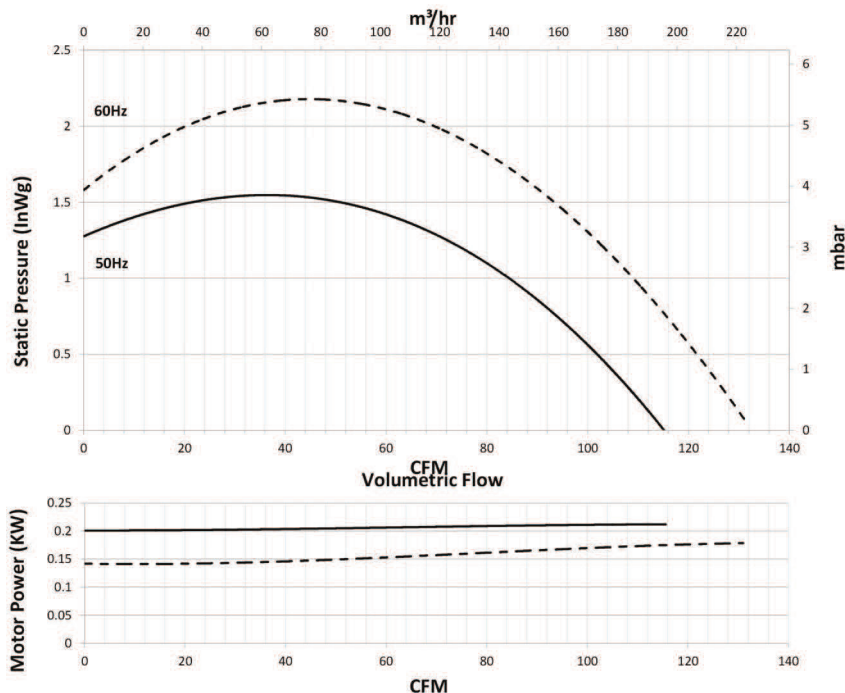
### GENERAL CHARACTERISTICS:



[Please note - image above may not be representative of the unit supplied]

MOTOR TYPE:	Squirrel cage induction motor IP44 as std, IP55 available
NOMINAL SUPPLY:	230V 1Ph 50/60Hz 110/115V 1Ph 50/60Hz Dual Voltage 3Ph 50/60Hz
OPTIONS:	Inlet & discharge guards, Inlet filters, Spigots, Heat spinners
MATERIALS:	Fancase: Cast aluminium LM6 Impellers: Aluminium 1200 H14
FINISHES:	Unpainted/Stove enamel (black) as std
MOUNTING OPTIONS:	Motor feet or Pedestals
NOISE LEVELS:	70dB(A) Free Air, 1M
WEIGHTS:	5Kgs / 11Lbs
MOTOR VARIATIONS:	ATEX, CE, CSA, UL available

### PERFORMANCE CURVES:

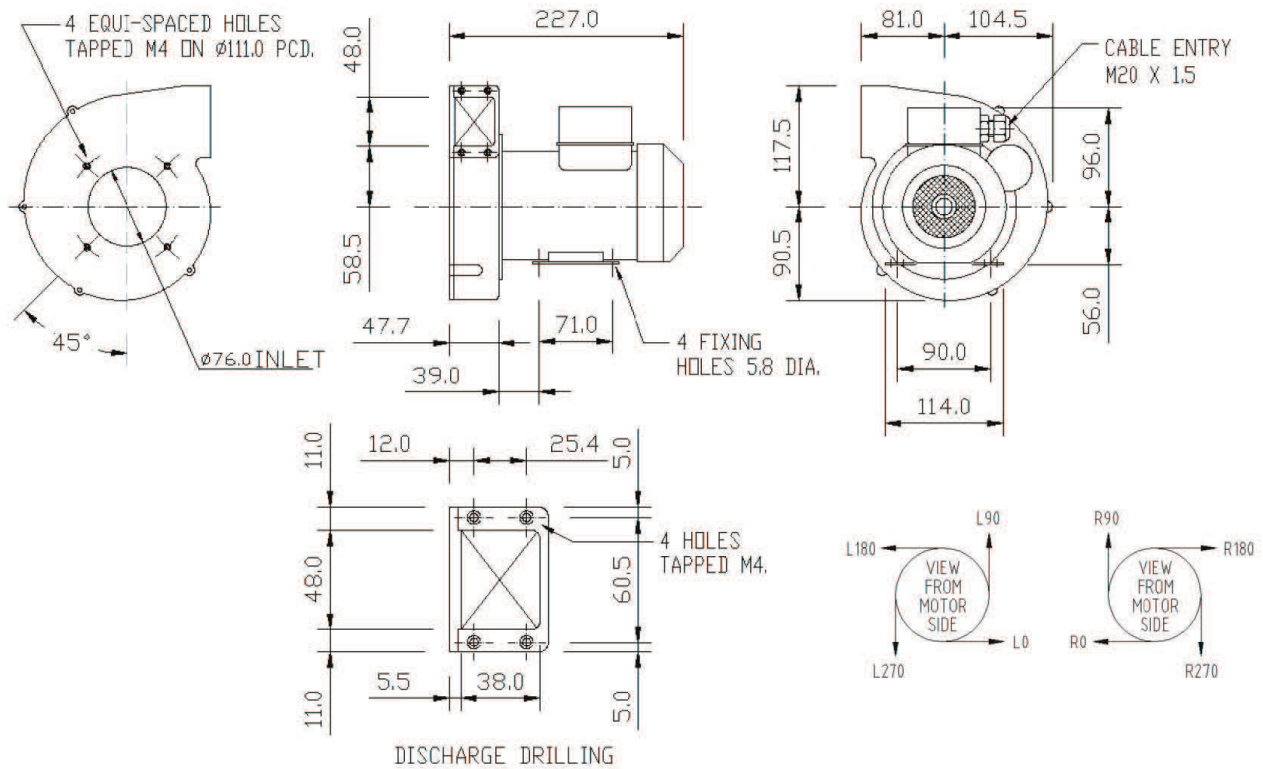


# CENTRIFUGAL FAN VBM5

## SINGLE INLET CENTRIFUGAL FAN

### OUTLINE DIMENSIONS:

[note: motor shown is for 50Hz performance. Motor dimensions for 60Hz operation may vary]



### PLEASE NOTE:

1. all drawings measurements are in millimeters (mm)
2. above technical specifications are subject to change