

# CENTRIFUGAL FAN VBW6

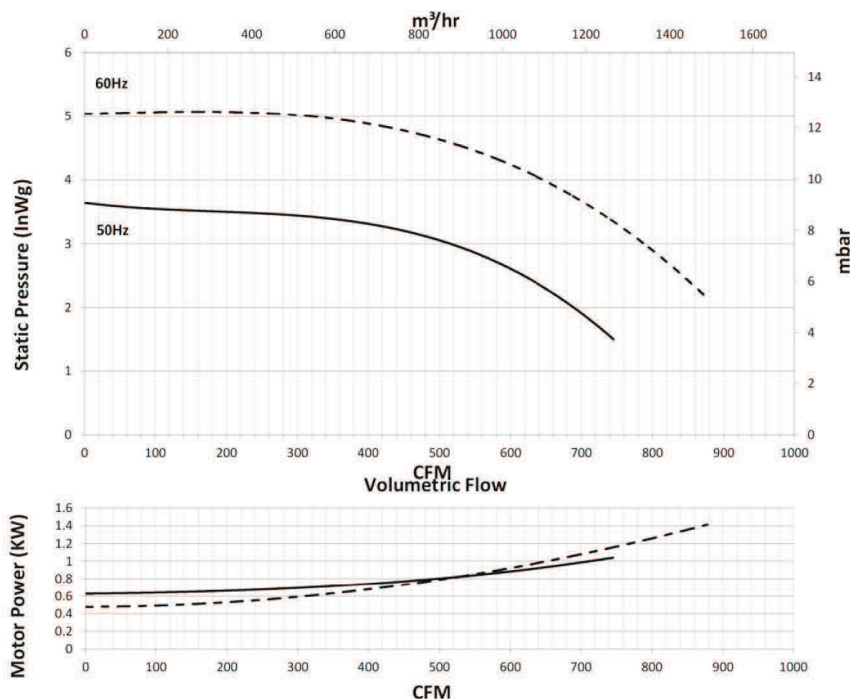
## SINGLE INLET CENTRIFUGAL FAN

### General Characteristics:



<b>Motor type:</b>	Squirrel cage induction motor IP55 as std, IP65 available
<b>Nominal supply:</b>	220/240V or 115V 1Ph 50/60Hz 380/420VY / 220/240VD 3Ph 50Hz 440/480VY / 250/280VD 3Ph 60Hz
<b>Options:</b>	Inlet & discharge guards, Inlet filters, Spigots
<b>Materials:</b>	Fancase: Cast aluminium LM6 Impellers: Galvanised sheet steel
<b>Finishes:</b>	Unpainted/Stove enamel (black) as std
<b>Mounting options:</b>	Motor feet or Pedestal
<b>Noise levels:</b>	86.5dB(A) Free Air, 1M
<b>Weights:</b>	14Kgs / 31Lbs
<b>Motor variations:</b>	ATEX, CE, CSA, UL available

### Performance curves:

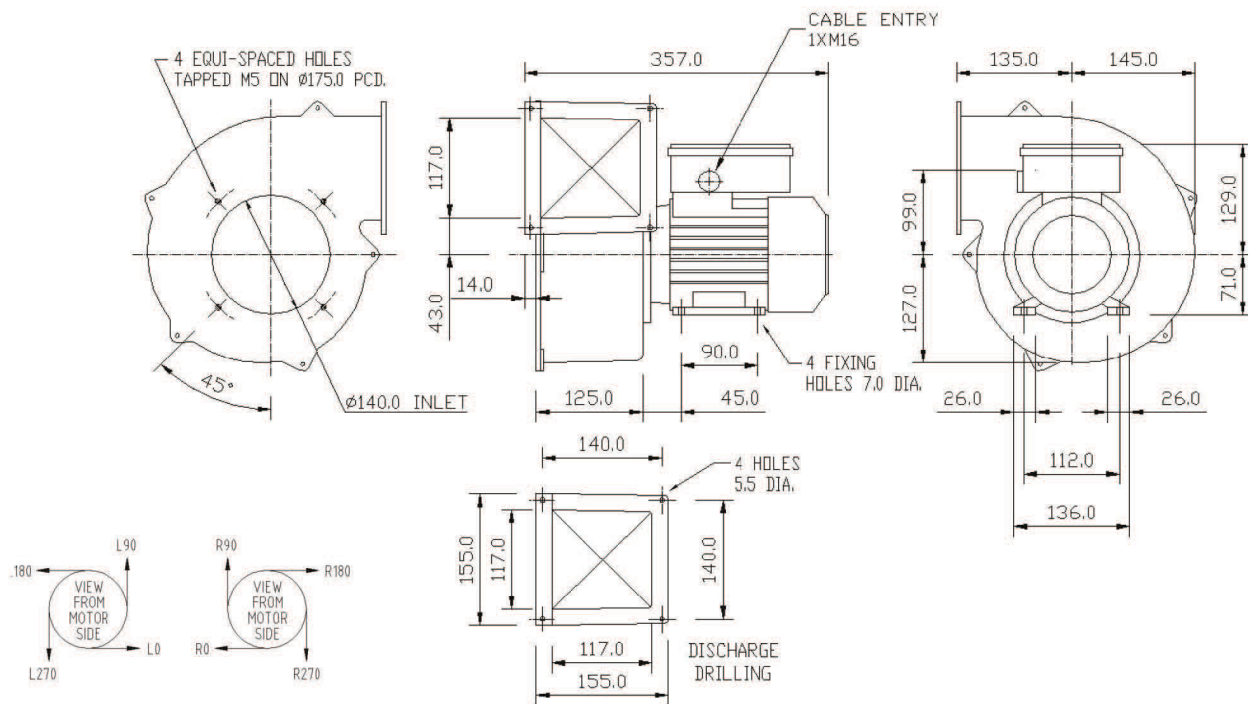


# CENTRIFUGAL FAN VBW6

## SINGLE INLET CENTRIFUGAL FAN

### Outline dimensions:

[note: motor shown is for 50Hz performance. Motor dimensions for 60Hz operation may vary]



### Please note:

1. all drawings measurements are in millimeters (mm)
2. above technical specifications are subject to change
3. Images used may not be representative of the fan supplied